

ISDN Subscriber Access Controller for U_{PN}-Interface Terminals PSB 2196

The PSB 2196, ISDN Subscriber Access Controller for U_{PN}-interface ISAC-P TE, implements the subscriber access functions for a digital terminal to be connected to a two-wire U_{PN}-interface. The PSB 2196 ISAC-P TE combines the functions of the U_{PN}-transceiver (one channel of the OCTAT-P PEB 2096) and the ISDN-Communications Controller (ICC, PEB 2070) onto one chip. The ISAC-P TE interfaces to voice/data devices via the IOM[®]-2 interface. The terminal repeater function of the ISAC-P TE allows to cascade two telephones which are controlled by one U_{PN}-interface from the line card.

1. Potential application

- All kind of PBX Telephones
- Terminal Repeater Modules
- PC-Cards, Videophones, and Video
- Conferencing Systems with proprietary U_{PN}-interface
- Terminal Adaptor with proprietary U_{PN}-interface
- a/b-Adapter with proprietary U_{PN}-interface

Customers

- PBX Telephone Manufacturers of:
- Key Systems
 - Small PBX Systems
 - Mid Range PBX Systems
 - Large PBX Systems

2. Features:

- Cost/performance-optimized U_{PN}-interface transceiver, compatible to PEB 2096 OCTAT-P
- HDLC-controller with 2x32-byte FIFO per direction
- HDLC-address recognition and control field handling compatible to PEB 2070
- IOM-2 interface for terminal application compatible to PEB 2070 ICC
- 8-bit multiplexed microprocessor interface
- 4-wire serial programming interface
- CPU-clock and reset outputs
- Test loops

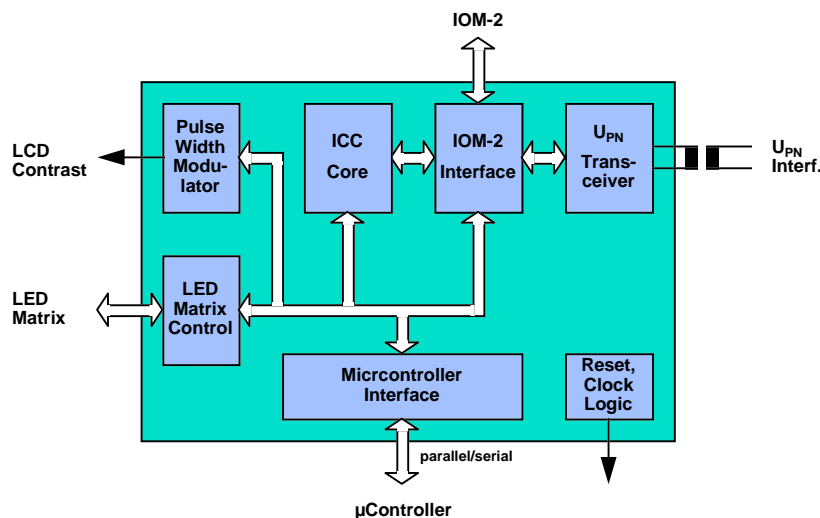
3. Packing

Type	Ordering Code	Package
PSB 2196H V1.4	Q67101-H6570 (pref. package)	P-MQFP-44
PSB 2196N V1.4	Q67100-H6569	P-LCC-44

4. Product status

Product	Step	Status	Changes
PSB 2196 N/H	V 1.4	Prod. Delivery Release	

5. Diagram



6. Documentation (Please contact our sales office for details)

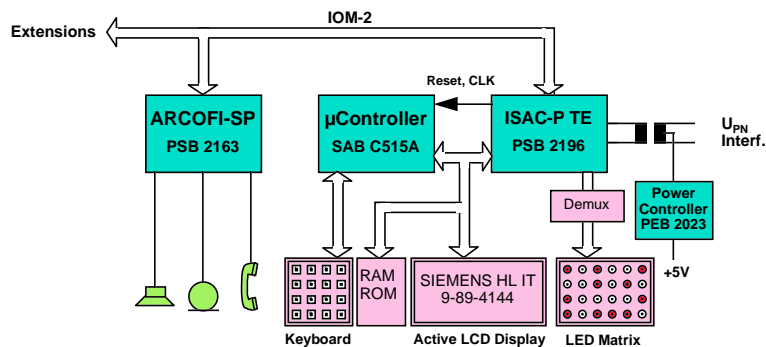
	<u>Date of issue/version</u>	<u>Type of material</u>
User's Manual	12/94	Booklet (B115-H6759-X-X-7600)
• App. Note: Migration from PEB 20950 ISAC-P to PSB 2196 ISAC-P TE	12/93	Copy
App. Note: Extending the Upn Interface Loop Length using ISAC-PTE or SmartLink	6/96	Copy
Errata Sheet V1.1, V1.2, V1.3	6/94	T2196-XV15-L1-7600

7. Development and support tools

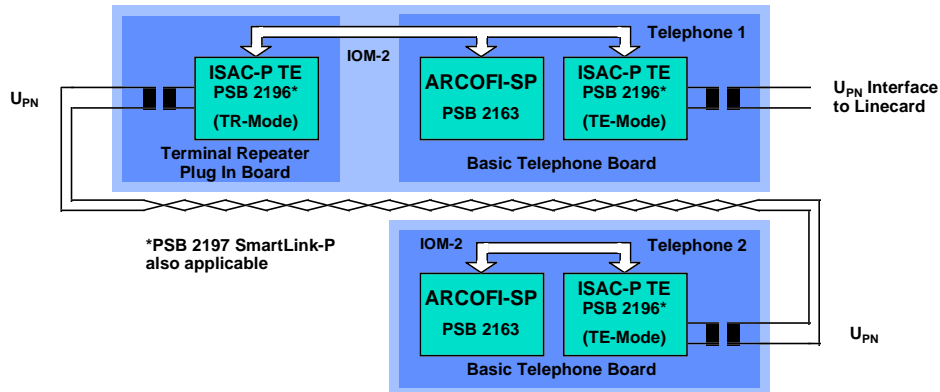
	<u>Availability</u>	<u>Ordering number</u>
SIPB5104 ISAC-P TE/TR Module	available	Q67100-H6426
SIPB5000 Mainboard	available	Q67100-H8647

8. Applications

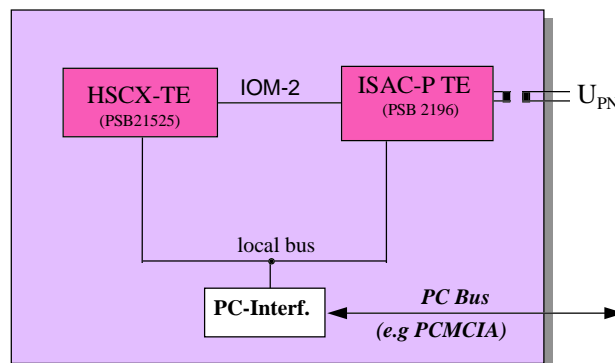
• **PBX Feature Phone**



• **Terminal Repeater Module**



• **PBX-PC Card**



This datasheet has been download from:

www.datasheetcatalog.com

Datasheets for electronics components.